

Trusted. Tested. Tough[®]

Product information presented here reflects conditions at time of publication. Consult factory regarding discrepancies or inconsistencies.

Register your
Zoeller Pump Company
Product on our website:
<http://reg.zoellerpumps.com/>




50 Hz

Visit our website:
www.zoellerpumps.com

INSTALLATION INSTRUCTIONS

910 Package System

SEWAGE	222, 271, 422
--------	---------------

PREINSTALLATION CHECKLIST - ALL INSTALLATIONS

- Inspect your pump.** Occasionally, products are damaged during shipment. If the unit is damaged, contact your dealer before using. **Do Not** remove the test plug in the cover.
- Carefully read the literature** provided to familiarize yourself with specific details regarding installation and use. These materials should be retained for future reference.



WARNING

SEE BELOW FOR LIST OF WARNINGS

- To reduce the risk of electrical shock, a properly grounded receptacle or control box must be installed in accordance with the governing codes. Never remove ground pin from plug.
- Make certain that the receptacle is within the reach of the pump's power supply cord. **DO NOT USE AN EXTENSION CORD.** Extension cords that are too long or too light do not deliver sufficient voltage to the pump motor. But more important, they could present a safety hazard if the insulation were to become damaged.
- Make sure the pump's electrical supply circuit is equipped with fuses or circuit breakers of proper capacity. A separate branch circuit is recommended, sized according to the governing electrical codes for the current shown on the pump name plate.
- Testing for ground.** As a safety measure, each electrical outlet should be checked for ground using a circuit analyzer which will indicate if the power, neutral and ground wires are correctly connected to your outlet. If they are not, call a qualified licensed electrician.
- FOR YOUR PROTECTION, ALWAYS DISCONNECT PUMP FROM ITS POWER SOURCE BEFORE HANDLING.** If pump is wired direct, de-energize the circuit at the control box. **DO NOT, UNDER ANY CIRCUMSTANCES, REMOVE THE GROUND PIN.** Wear insulated protective shoes and do not stand in water. Pumps equipped with a grounded plug are designed to help protect against electrical shock. A properly grounded receptacle or control box must be installed in accordance with governing codes.
- Installation and servicing of the pump's electrical circuits and hardware should only be performed by a qualified licensed electrician.
- Installation and maintenance of this appliance is not intended for persons (including children) with reduced physical, sensory or mental capabilities, or lack of experience or knowledge, unless they have been given supervision or instruction concerning use of the appliance by a person responsible for their safety.
- Risk of electrical shock.** Do not remove power supply cord and strain relief or connect conduit directly to the pump. If the supply cable is damaged, it must be replaced by an authorized Zoeller Representative.
- Pump may contain oil which becomes pressurized and hot when operating. Allow 2-1/2 hours after disconnecting before attempting service.
- Pump is not intended for potable water due to possible contamination by oil contained in the pump.
- Risk of electric shock.** These pumps have not been investigated for use in swimming pools and marine areas.



CAUTION

SEE BELOW FOR LIST OF WARNINGS

- This unit is not designed to handle any material larger than the pump's solids-passing ability.
 - 422 series pumps are designed to pass 38 mm (1-1/2") spherical solids.
 - 222, 271 series sewage pumps are designed to pass 50 mm (2") spherical solids.
- Check to be sure your power source is capable of handling the voltage requirements of the motor, as indicated on the pump name plate.
- All plumbing (discharge and vent lines) must be installed to meet local codes. Unit must be vented. **DO NOT USE AN AUTOMATIC PLUMBING VENT DEVICE SIMILAR TO A "PROVENT".** Some states require this product to be installed by a licensed plumber.
- The installation of variable level float switches is the responsibility of the installing party, and care should be taken that the tethered float switch will not hang up on the pump apparatus or pit peculiarities and is secured so that the pump will shut off. It is recommended to use rigid piping and fittings and the pit be 45 cm (18") or larger in diameter.
- Vent hole. It is necessary that all submersible sump, effluent, and sewage pumps capable of handling various sizes of solid waste be of the bottom intake design to reduce clogging and seal failures. If a check valve is incorporated in the installation, a 5 mm (3/16") vent hole must be drilled in the discharge pipe below the check valve and pit cover to purge the unit of trapped air. Vent hole should be checked periodically for clogging. The vent hole on a High Head application may cause too much turbulence. You may not want to drill one. If you choose not to drill a vent hole, be sure the pump case and impeller is covered with liquid before connecting the pipe to the check valve. **NOTE: THE HOLE MUST BE BELOW THE BASIN COVER AND CLEANED PERIODICALLY.** Water stream will be visible when pump is operating.
- Pump should be checked frequently for debris and/or build up which may interfere with the float "on" or "off" position.
- Maximum operating temperature for standard model pumps must not exceed 54 °C (130 °F) for cast iron pumps, or 40 °C (104 °F) for pumps with plastic motor housings.
- Do not operate a pump in an application where the Total Dynamic Head is less than the minimum Total Dynamic Head listed on the Pump Performance Curves.
- For health reasons, do not unplug, turn off, or disable pump and use pump tank system as a way to fill up a sink or laundry tray, etc.
- CHECK VALVE MUST BE USED TO REDUCE UNNECESSARY CYCLING OF PUMP.**
- This system must be installed above the water table. Groundwater outside the basin will cause it to collapse.

REFER TO WARRANTY ON PAGE 2.

LIMITED WARRANTY

Manufacturer warrants, to the purchaser and subsequent owner during the warranty period, every new product to be free from defects in material and workmanship under normal use and service, when properly used and maintained, for a period of two years from date of purchase by the end user, that inspections determine to be defective. Proof of purchase is required. Inspections determine to be defective in material or workmanship, will be repaired, replaced or remanufactured at Manufacturer's option, provided however, that by so doing we will not be obligated to replace an entire assembly, the entire mechanism or the complete unit. Fill and flush mechanism are guaranteed as per OEM warranty only and vitreous china are guaranteed only for a factory defect. No allowance will be made for shipping charges, damages, labor or other charges that may occur due to product failure, repair or replacement.

This warranty does not apply to and there shall be no warranty for any material or product that has been disassembled without prior approval of Manufacturer, subjected to misuse, misapplication, neglect, alteration, accident or uncontrolled act of nature; that has not been installed, operated or maintained in accordance with Manufacturer's installation instructions; that has been exposed to outside substances including but not limited to the following: sand, gravel, cement, mud, tar, hydrocarbons, hydrocarbon derivatives (oil, gasoline,

solvents, etc.), or other abrasive or corrosive substances, wash towels or any other abusive entity, etc. in all pumping applications. The warranty set out in the paragraph above is in lieu of all other warranties expressed or implied; and we do not authorize any representative or other person to assume for us any other liability in connection with our products. Contact authorized distributors to obtain any needed repair or replacement of part(s) or additional information pertaining to our warranty.

MANUFACTURER EXPRESSLY DISCLAIMS LIABILITY FOR SPECIAL, CONSEQUENTIAL OR INCIDENTAL DAMAGES OR BREACH OF EXPRESSED OR IMPLIED WARRANTY; AND ANY IMPLIED WARRANTY OF FITNESS FOR A PARTICULAR PURPOSE AND OF MERCHANTABILITY SHALL BE LIMITED TO THE DURATION OF THE EXPRESSED WARRANTY.

Some jurisdictions do not allow limitations on the duration of an implied warranty, so the above limitation may not apply to you. Some jurisdictions do not allow the exclusion or limitation of incidental or consequential damages, so the above limitation or exclusion may not apply to you.

This warranty gives you specific legal rights and you may also have other rights which vary from jurisdiction to jurisdiction.

In those instances where damages are incurred as a result of an alleged pump failure, the Homeowner must retain possession of the pump for investigation purposes.

EASY DO'S & DON'T'S FOR INSTALLING UNIT

1. **DO** read all installation material with the unit.
2. **DO** inspect unit for any visible damage caused by shipping. Contact dealer if unit appears to be damaged.
3. **DO** remove all debris from the basin. Be sure that the pump will have a hard, level surface beneath it. **DO NOT** install on sand, gravel or dirt.
4. **DO** be sure that the area is large enough to allow proper clearance for the level control switch(es) to operate properly.
5. **DO Always Disconnect Pump From Power Source Before Handling.** **DO** always connect to a separately protected and properly grounded circuit. **DO NOT** ever cut, splice, or damage power cord (only splice in a watertight junction box). **DO NOT** carry or lift pump by its power cord. **DO NOT** use an extension cord.
6. **DO** install a check valve and a union in the discharge line. **DO NOT** use a discharge pipe smaller than the pump discharge.
7. **DO NOT** utilize this unit for pumping gasoline or other hazardous liquids.
8. **DO** test pump immediately after installation to be sure the system is working properly.
9. **DO** review all applicable governing codes and verify that the installation conforms to each of them.
10. **DO** consult manufacturer for clarifications or questions.
11. **DO** inspect and test system for proper operations at least every 3 months.

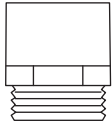
SERVICE CHECKLIST

CONDITION	COMMON CAUSES
A. Pump will not start or run.	Check fuse, low voltage, overload open, open or incorrect wiring, open switch, impeller or seal bound mechanically, motor or wiring shorted. Float assembly held down. Switch, damaged or out of adjustment.
B. Motor overheats and trips overload or blows fuse.	Incorrect voltage, negative head (discharge open lower than normal) impeller or seal bound mechanically, motor shorted.
C. Pump starts and stops too often.	Float switch tether length too short, check valve stuck open, or none installed in long distance line, overload open, bidding, sump pit too small.
D. Pump will not shut off.	Debris under float assembly, float bound by basin sides or other, switch, damaged or out of adjustment.
E. Pump operates but delivers little or no water.	Check inlet, strainer housing, discharge pipe, and vent holes for obstructions. Discharge head exceeds pump capacity. Low or incorrect voltage. Incoming water containing air or causing air to enter pumping chamber. Incorrect motor rotation. (3 phase pumps only)
F. Drop in head and/or capacity after a period of use.	Increased pipe friction, clogged line or check valve. Abrasive material and adverse chemicals could possibly deteriorate impeller and pump housing. Check line. Remove base and inspect.
G. If tank or fittings leak.	Carefully tighten pipe joints (use pipe dope) and screws. Check gasket location, tighten lid evenly. Do not over tighten fittings or screws.

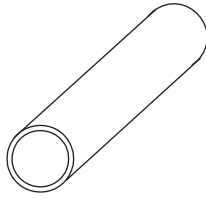
If the above checklist does not reveal the problem, consult the factory. Do not attempt to service or otherwise disassemble pump. Service must be performed by an authorized Zoeller Company representative.

ACCESSORIES DESCRIPTION (Basin 550x400x450 mm)

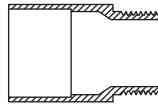
Accessories for water outlet/vent



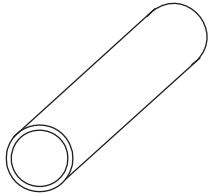
DN50 BSPT slipx2



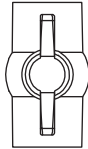
2" Pipe
(The length varies according to the model)



2" BSPT slip



DN50 Pipe

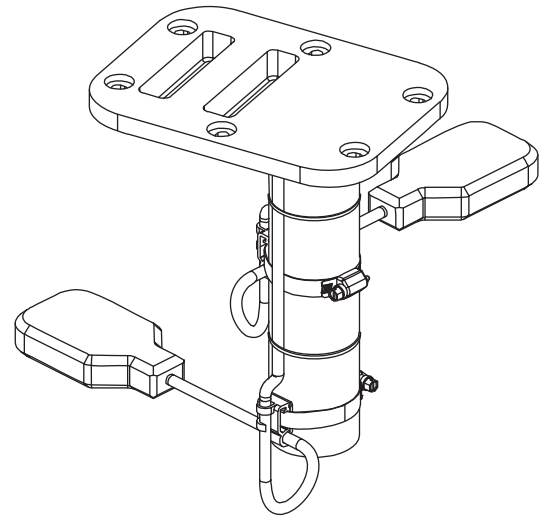


2" or DN50
Ball valve



2" or DN50
Union
Check valve

Float group



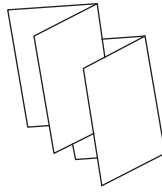
External accessories



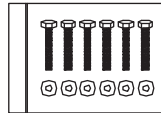
Connection
pipe 2"



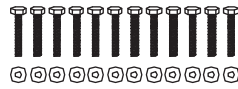
Connection
pipe 4"



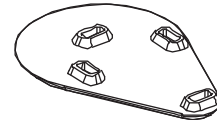
Manual



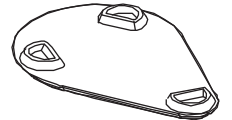
Maintenance cover
screw set x6



Cover screw set x12



Rubber
anti-vibration pad
222/422



Rubber
anti-vibration pad
271



Cord seal



D-type foam tape x 2
(L=1.5~1.55m)

MOUNTING THE SWITCH

1. Place the cord into the clamp as shown as shown in Figure A.
2. Locate clamp at desired activation level and secure the clamp to the discharge pipe as shown in Figure A.

Note: Do not install cord under hose clamp.

3. Tighten the hose clamp using screwdriver. Over tightening may result in damage to the plastic clamp. Make sure the float cable is not allowed to touch the excess hose clamp band during operation.

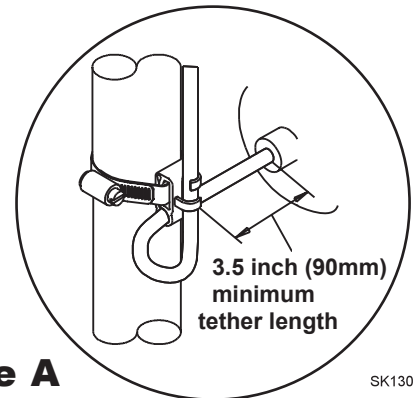


Figure A

SK1301D

WARNING: Tethering switches below minimum tether length can effect switch operation and will reduce the fatigue life of the cable.

WARNING

ELECTRICAL SHOCK HAZARD

Disconnect power before installing or servicing this product. A qualified service person must install and service this product according to applicable electrical and plumbing codes.

WARNING

EXPLOSION OR FIRE HAZARD

Do not use this product with flammable liquids. Do not install in hazardous locations as defined by National Electrical Code, ANSI/NFPA 70.

Failure to follow these precautions could result in serious injury or death. Replace product immediately if switch cable becomes damaged or severed. Keep these instructions with warranty after installation. This product must be installed in accordance with National Electric Code, ANSI/NFPA 70 so as to prevent moisture from entering or accumulating within boxes, conduit bodies, fittings, float housing, or cable.

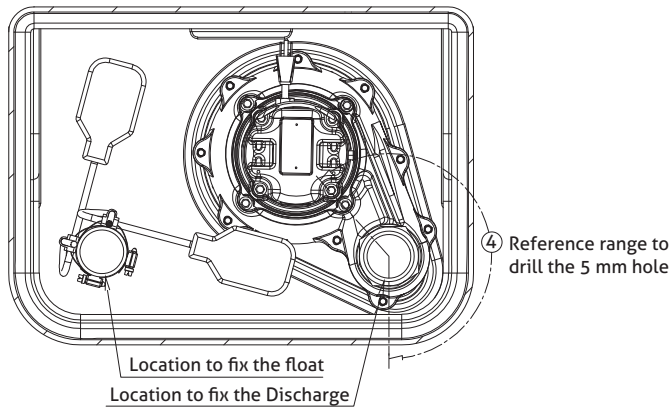
RECOMMENDED INSTALLATION FOR ALL APPLICATIONS

(Basin 550x400x450 mm)

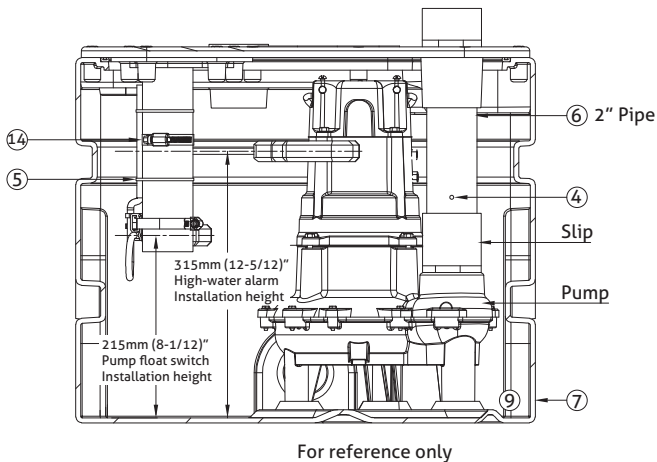
- ① Electrical wiring and protection must be in accordance with governing electrical code and any other applicable local electrical requirements.
- ② Install proper Zoeller unichek (combination union and check valve), preferably just above the basin to allow easy removal of the pump for cleaning or repair.
- ③ All installations require a basin cover to prevent debris from falling into the basin and to prevent accidental injury.
- ④ When a Unichek is installed, drill a 5 mm dia. hole in the discharge pipe even with the top of the pump. To avoid the water stream impact on the float operation, the hole location should avoid facing the float. To reduce the voice from water stream hitting basin, drill the hole below "off" point is recommended.
NOTE: THE HOLE MUST ALSO BE BELOW THE BASIN COVER AND CLEANED PERIODICALLY. (High Head unit see #3 under "Caution" on front page). Water stream will be visible from this hole during pump run periods.
- ⑤ Securely tape or clamp power cord to discharge pipe, clear of the float mechanism(s).

- ⑥ Use full-size discharge pipe.
- ⑦ Basin must be in accordance with applicable codes and specifications.
- ⑧ Pump must be level and float mechanism(s) clear of sides of basin before starting pump.
- ⑨ Basin must be clean and free of debris after installation.
- ⑩ Gate Valve or Ball Valve to be supplied by installer and installed according to any and all codes.
- ⑪ Locate float switches as shown in sketches. The best place for the "off" point is above the motor housing and positioned 180° from the inlet. Never put "off" point below discharge on pump (Sewage & Effluent only). **NOTE: FOR AUTOMATIC PUMPS, USE DEWATERING INSTALLATION SKETCH.**
- ⑫ Gas tight seals required to contain gases and odors.
- ⑬ Vent gases and odors to the atmosphere through vent pipe.
- ⑭ **Keep switch cable outside hose clamp.**

STEP 1

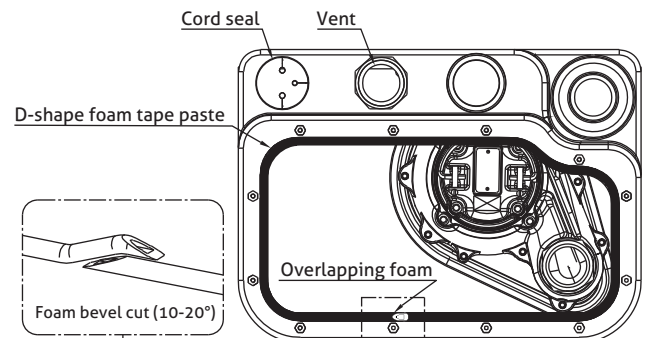
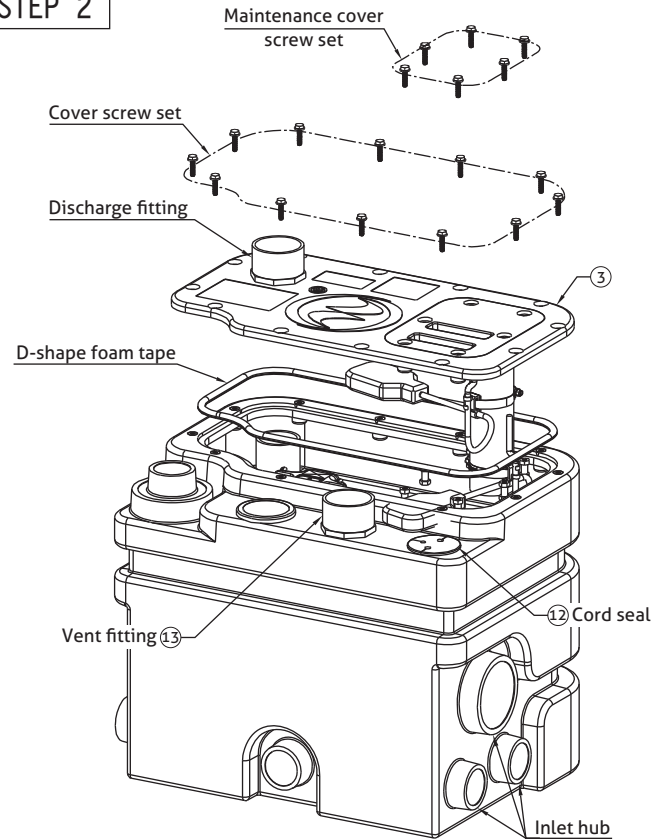


Apply glue on every piping connection.



EA0171

STEP 2



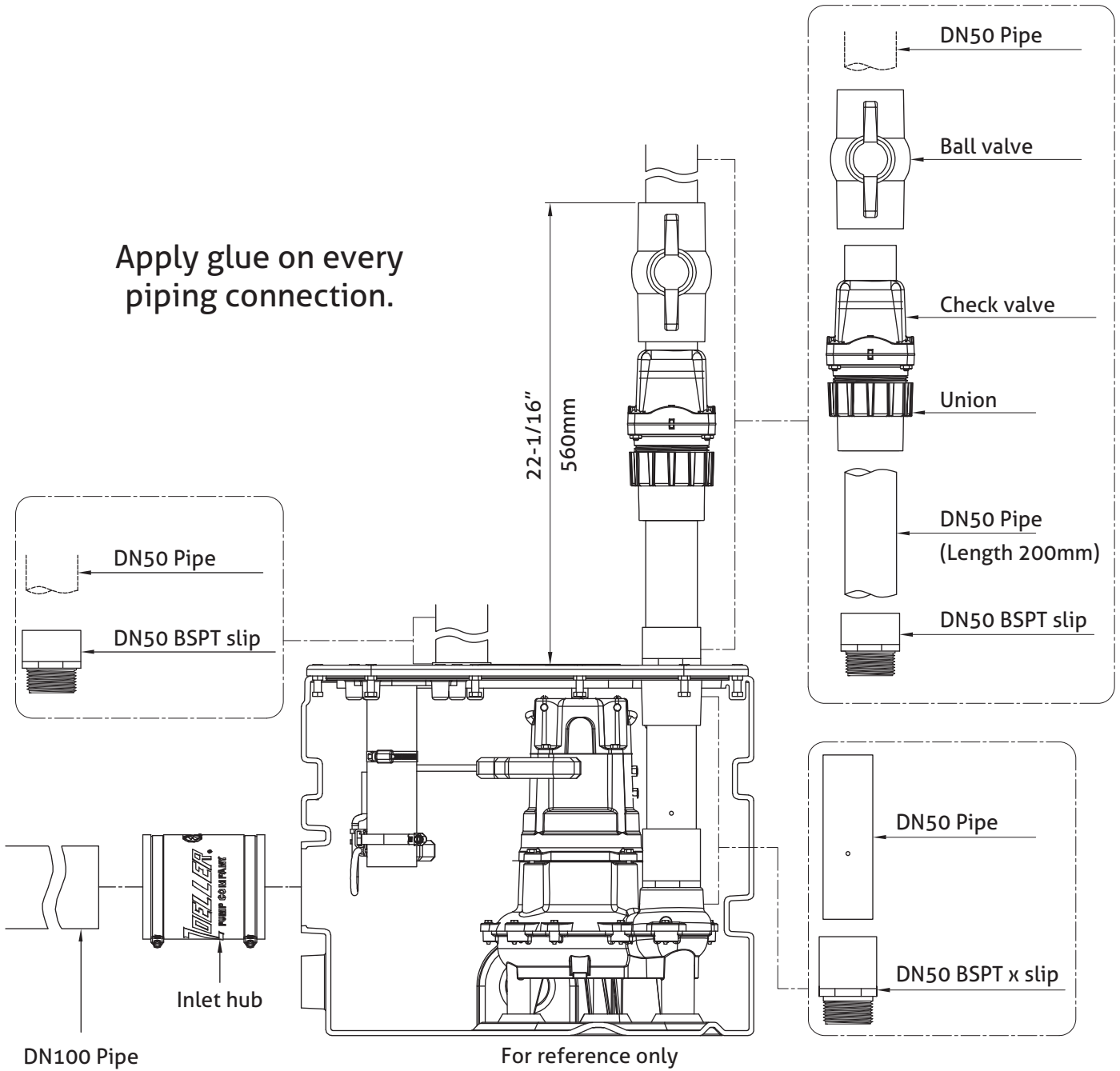
EA0171

RECOMMENDED INSTALLATION FOR ALL APPLICATIONS

(Basin 550x400x450 mm)

STEP 3

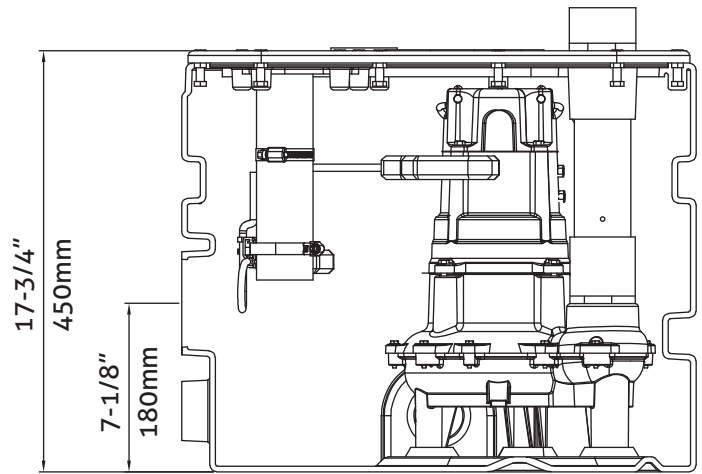
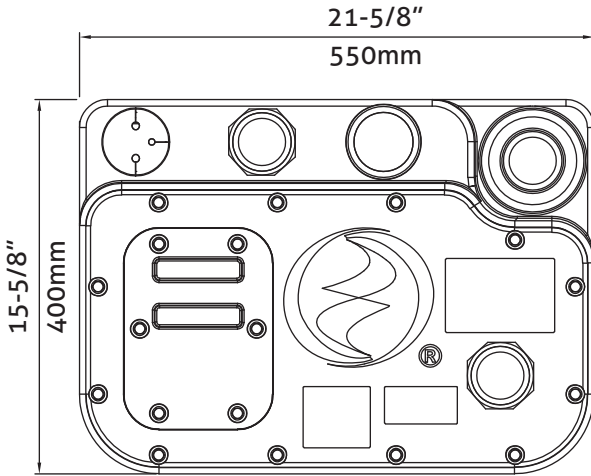
Apply glue on every piping connection.



EA0171

DIMENSIONAL DATA

Basin
550x400x450mm



EA0171



⚠ WARNING

PUMP WIRING INSTRUCTIONS

FOR YOUR PROTECTION, ALWAYS DISCONNECT PUMP FROM ITS POWER SOURCE BEFORE HANDLING. For single phase pumps supplied with a grounded plug, **DO NOT, UNDER ANY CIRCUMSTANCES, REMOVE THE GROUND PIN.** The plug **must** be inserted into a mating grounded receptacle. If the installation does not have such a receptacle, it must be changed to the proper type, wired and grounded in accordance with all applicable local codes and ordinances.

All three phase pumps require motor starting devices with motor overload protection. Three phase pumps must be installed in accordance with all applicable local codes and ordinances. Pumps are not to be installed in locations classified as hazardous.

Risk of electrical shock. Do not remove power supply cord and strain relief or connect conduit directly to the pump. Installation and checking of electrical circuits and hardware should be performed by a qualified licensed electrician.

Single Phase Installation

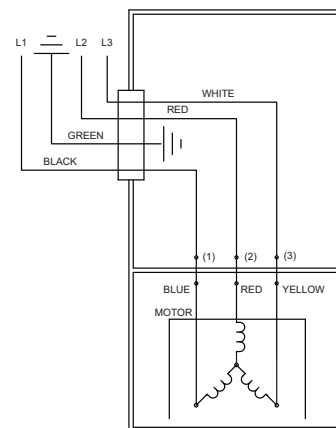
To operate a non-automatic pump automatically, a control panel or 20 amp control switch (P/N 10-0748) must be added to the power circuit. Follow the instructions provided with the panel or float switch to wire the system.

Three Phase Installation

Three phase pumps are nonautomatic. To operate automatically, a control panel is required. Follow the instructions provided with the panel to wire the system.

Before installing a pump, check the pump rotation to insure that wiring has been connected properly to power source, and that the green lead of power cord, is connected to a valid ground, momentarily energize the pump, observing the directions of kick back due to starting torque. Rotation is correct if kick back is in the opposite direction of rotation arrow on the pump casing. If rotation is not correct, switching of any two power leads other than ground, should provide the proper rotation.

NONAUTOMATIC 3 PHASE



006848

NOTE: for CE-rated pumps only. **DECLARATION OF CONFORMIT**

We, Zoeller, declare under our sole responsibility that the models 49/53/55/57/59/72/76/86/88/98/137/139/140/4140/145/4145/152/153/161/162/163/165/185/189/222/264/266/267/268/270/4270/271/4271/282/4290/4291/292/293/294/371/372/373 to which this declaration relates, are in conformity with the Council Directives on the approximation of the laws of the EC Member States relating to:

-- Machinery Directive (2006/42/EC)

Standards used: EN 809: 1998 + A1: 2009

-- Electromagnetic Compatibility (2014/30/EU)

Standards used: EN 55014-1: 2006 / A1: 2009 / A2: 2011, EN61000-3-2:2014, EN61000-3-3:2013, EN 55014-2: 1997 / A2: 2008, IEC 61000-4-2:2008, IEC 61000-4-3:2006+A1:2007+A2:2010, IEC 61000-4-4:2012, IEC 61000-4-5:2014 , IEC 61000-4-6:2013, IEC 61000-4-11:2004

-- Electrical equipment designed for use within certain voltage limits (2014/35/EU)

Standards used: EN60335-1: 2012+A11:2014 and EN60335-2-41: 2003+A1:2004+A2:2010



MAIL TO: P.O. BOX 16347 • Louisville, KY 40256-0347 USA
SHIP TO: 3649 Cane Run Road • Louisville, KY 40211-1961 USA
+1 (502) 778-2731 • FAX +1 (502) 774-3624

Trusted. Tested. Tough®

Visit our website:
zoellerpumps.com

安装前务必详读说明书

Trusted. Tested. Tough[®]

文件仅供参考
若有任何修改
恕不另行通知

请至美国卓勒水泵公司
官网完成您的产品注册



50 Hz

Visit our website:
zoellerpumps.com

安装说明书 910非预组式污物提升器

污物

222, 271, 422

安装前检查

- 安装前请仔细检查所有零件。产品如果在运送中受损，请尽快联络经销商。
- 安装前仔细阅读所有提供的文件，熟悉安装细节，并保存资料以供未来参考。
- 请依照国内电工法规标准进行安装。国内法规允许，污物水泵可用在污水系统上，非自动型水泵应用在化粪池，建议搭配外接式水位控制。



警告

1. 为防范使用者触电，本公司所有产品皆配有包含接地功能的电线及三插插头。为确保安全，请勿将插头的接地插销拔除。
2. 为确保安全请勿使用延长线。加装延长线容易使水泵马达接收不到足够的电压。更重要的是，若延长线的绝缘遭破坏、或插头松脱掉入水中，将可能造成危险。
3. 请确认在供给水泵电源的电路中加装适当规格的保险丝或断路器。在此建议依照水泵铭牌上的电流值，并参照国内电工法则来选择及安装独立的断路器。
4. 请在安装前测试插座的漏电保护功能。为了安全考量，请使用符合国内电工法规的电路测试仪器来检查插座中的火线、中性线及地线是否配置正确。若发现异常，请联络合格的水电技师来为您解决问题。
5. 为了保护您的安全，接触水泵前请先拔除电源。如果水泵使用电线直接连接，需在电控箱内断电。任何情况下都不允许移除接地插销。确保人未站在水中，且穿上绝缘鞋。泵配有接地插头的设计，以帮助防止触电。必须按国内法规，正确安装接地的插座或控制箱。
6. 仅得由持有证照的合格水电技师来进行水泵安装、管路搭配及电路配线。
7. 若无监督本产品不适合给儿童、心智不健全或经验不足者使用，前述条件者使用本产品时，监督者应负全部安全责任。
8. 为避免触电，请勿移除电缆线。如果电缆线受损，请联络经销商或本公司认可的服务单位维修。
9. 本水泵含冷却油，在运作状态下会受压变热——请在断电2.5小时后再进行维修。
10. 水泵不可使用于饮用水，冷却油有可能会污染水质。
11. 为防范触电，本产品勿用于游泳池。

请勿使用于油类、汽油、石油产品或含任何化学成分的液体。



注意

1. 本机水泵的固体通过能力如下，请勿用来处理任何大于水泵的固体通过能力。
 - 422系列可通过固粒直径38 mm。
 - 222, 271系列可通过固粒直径50 mm。
2. 检查并确认使用的电源符合水泵铭牌上的规格需求。
3. 需依当地法令规章安装所有的配管(出口水管及通气管)。本装置必须有通气。请勿使用自动管路通气设备。
4. 安装含自动浮子开关或外接式自动浮子开关的自动型产品时，安装者有责任确保浮子摆放于正确位置，且不会卡在水泵机组或机坑壁边，以确保本产品能正常运作。建议使用硬水管做为配管。
5. 排气孔的目的：
一般潜水型污水泵都是从底部抽水，以防止水泵阻塞和泄漏。空气会因此容易积在水泵或管路内，造成气锁。排气孔是为了将这些空气排出。因此，必须在逆止阀与机坑盖下的管路凿一排气孔(直径约5 mm)，用以排出来自底部入水口的积存空气。积存的空气可能源自于水泵运作时的搅动，或在水槽干涸时进入水泵。排气孔应定期检验，排除阻塞。本产品运转时看见水从排气孔流出，为正常现象。
6. 时常检查是否有杂物卡住浮子。维修请联络本公司认可的维修站。
7. 铸铁水泵最高环境温度不得超过华氏130度(摄氏54度)，塑胶马达外壳的水泵最高环境温度不得超过华氏104度(摄氏40度)。
8. 请勿在总动力扬程低于性能曲线中扬程下限的场合使用。运转时需保持直立。请勿倾斜水泵。
9. 基于健康理由，不要使用水泵系统来注入水槽或洗衣机的水等。
10. 务必安装止回阀减少水回流，以免造成不必要的水泵持续运转。
11. 本套装系统需安装在平均地下水位以上，避免损坏箱体。

保修请参阅第2页。

保修说明

制造商在保修期内向购买者和随后拥有者的保证，每个新产品不会有材料或工艺的瑕疵，在正常使用和维护的情况下，本产品的保固为自购买日起算的两年。需具备购买证明。在保修期内出现故障的零件，经查验若产品的缺陷是由材料或制造过程造成，本公司将负责维修或更换。本公司保留决定是否维修或更换产品、零件或配件的权利。马桶水箱注水、冲水机制受原厂保固，而马桶陶瓷保固仅限于工厂瑕疵。维修或更换期间买方所产生的费用或损失不在保固范围内。对于因产品故障、维修或更换而可能产生的运费、损坏、人工费或其他费用，我们将不予授予。

保修不适用于：

- (1) 未依照说明书安装、操作或维护所造成的故障或损坏。
- (2) 不当操作、意外或疏忽所造成故障或损坏。

- (3) 加装不属于本产品的零、配件。
 - (4) 未依照当地法规进行安装所造成的危害。
 - (5) 将产品用在非原本设计的用途上所造成的损坏。(例：抽取沙、碎石、水泥、泥巴、沥青、碳氢化合物及其衍生物、汽油、化学溶剂或其他有腐蚀性的液体、毛巾、女性卫生用品等。)
- 保修零、配件的退回：在本保修之下任何修理或更换需送回本公司或其他本公司所指定的维修服务点，运费需自付。在任何情况下本公司不承担其他责任，包含资产或设备的损坏、利润损失、等。本公司的责任不超过产品的实售价格。上述为本产品唯一的保修说明，任何人的修改或另做承诺皆为无效。在因涉嫌产品故障而招致损害的情况下，财产拥有人必须保留该产品以供调查之用。

安装注意事项

1. 请务必阅读本装置之所有安装资料。
2. 请务必检查装置是否在运送中产生可见的损坏。若装置显示受损，请联系经销商。
3. 请务必清除水坑中的杂物。将水泵放置在坚固地面上。切勿将水泵放置在泥沙上。
4. 请务必确认水坑大小足以允许浮子自由活动。
5. 处理前切断水泵电源。连接到独立受保护的接地漏电电流断路器。请勿切断、拼接或损坏电源线。请勿用电源线拉动或举起水泵。请勿使用延长线。
6. 请务必在出水管线安装止回阀和管接头。切勿使用小于出水口径尺寸的水管安装。
7. 切勿使用污水泵抽取沙砾、污物或危险液体。
8. 请务必在安装后立即测试水泵，以确认系统正常运作。
9. 请务必以适合的盖子覆盖水坑。
10. 请务必详阅所有适用当地及国家规则，确认安装符合各项规定。
11. 若有疑问，请务必联系制造商查明。
12. 请务必考虑电池备用系统，以防停电或故障造成的财产损失。
13. 请务必每3个月检查一次系统是否正常运作。

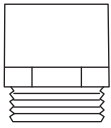
检查清单

异常状况	可能原因	补救措施
A. 水泵未开始运作。	低电压、保险丝烧断、电路中断。	由合格电气技师检查保险丝和电路。
	叶轮卡住。	联络经销商。
	马达或电线短路。	
	浮子开关上有杂物。	去除杂物
B. 马达过热造成跳电或保险丝烧断。	电压错误、负扬程(出水口高度低于水泵)、叶轮或轴封卡死、电容器、继电器或马达短路。	联络经销商。
C. 水泵自动停止次数太频繁。	止回阀阻塞、无止回阀、热过载保护器启动或浮子有瑕疵。	联络经销商。
D. 水泵不停止。	浮子下方有杂物。	去除浮子周围的杂物。
	浮子开关故障。	联络经销商。
E. 水泵运转正常，但抽不到水或水流量太少。	进水口周围有杂物。	清理进水口附近区域。
	排放管堵塞。	必要时卸除排放管，冲走杂物。
	电压太低或不当电压。	由合格电气技师检查家庭管线。
	叶轮受损。	联络经销商。
	马达运转不当、电容器瑕疵、入水含空气或造成空气进入水机室。	联络经销商。
	水泵气锁。	确保排放管中的通气孔畅通。
	安装扬程超过系统设计的扬程。	更换排放管或联络经销商。
F. 扬程或流量使用一般时间后降低。	管路或止回阀阻塞。磨蚀性物质及有害的化学物质造成叶轮及水机损坏。	检查管路、打开并检查水机。
G. 如果桶子或接头漏水。	管配件或螺丝锁过紧或太松，或垫圈没有平均的锁紧。	小心锁紧管接头(使用管路密封胶)和螺丝。 检查垫圈的位置，均匀地锁紧盖子。 不要将管接头或螺丝锁的过紧。

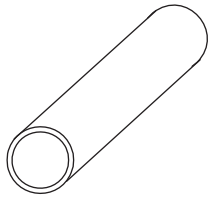
如果检查后仍无法排除问题，请与Zoeller公司授权的经销商联络，切勿自行拆卸水泵。

配件及电缆式浮子安装说明 (550x400x450mm 箱体尺寸)

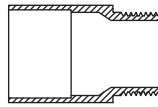
出口/通气口用配件



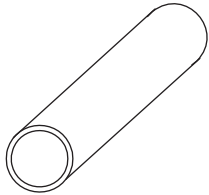
DN50 滑接x2



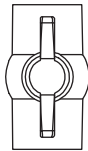
2" PVC 水管
(长度依机型不同)



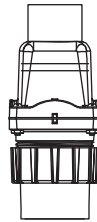
2" PT 滑接



DN50 PVC 水管

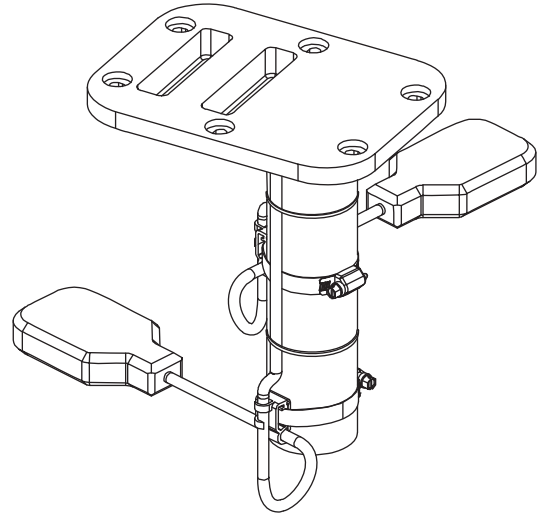


2" 或 DN50球阀



2" 或 DN50止回阀

预组浮子组



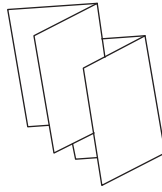
外装配件



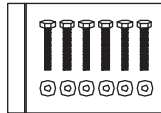
2"橡胶连接管



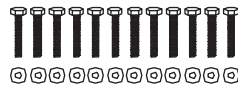
4"橡胶连接管



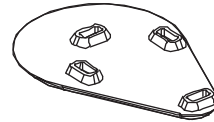
说明书



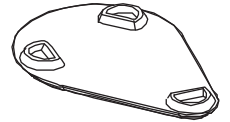
三号维修盖螺丝组 x6
(三号夹链袋包装)



上盖螺丝组 x12
(螺丝出货时锁附于上盖)



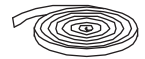
橡胶防震垫
222/422型用



橡胶防震垫
271型用



水泵电缆线
密封圈



D型泡棉 x2
(单条长: 1.5-1.55m)

架设浮子步骤

1. 如图1, 将电缆线置入塑胶扣环。
2. 如图1, 将金属管束调整至所需位置并固定于水管上。
(所需位置高度请见安装说明)
注意: 不可将电缆线直接束于金属管束上。
3. 以螺丝起子将金属管束束紧。勿过度施压避免伤害塑胶扣环, 并确认浮子线运作时, 不会受扣环末端束线干扰。

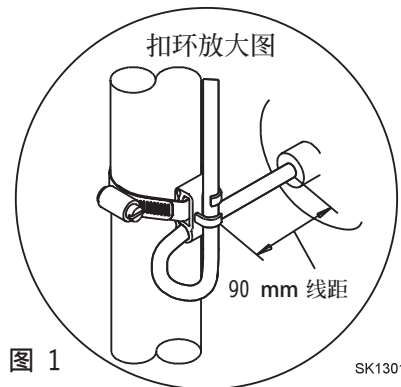


图 1

SK1301D

警告: 浮子开关低于90mm长度, 会影响开关操作, 减少电缆寿命。

警告

电击的危险

安装或维修前请先切断电源。合格的维修人员必须在安装或维修产品时依照合适的电机和配管法规。

警告

爆炸或火灾危险

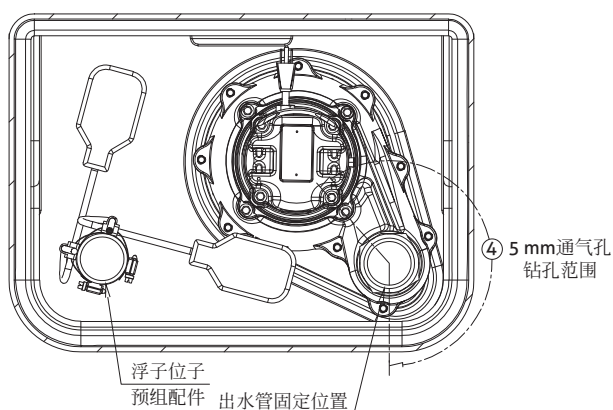
请勿将本产品与易燃液体一起使用。不要安装在危险场所, 须符合国家电器法规。

未能遵守这些预防措施, 可能会导致严重的人身伤害或死亡。如果开关的电缆损坏或断裂请立即更换产品。安装后妥善保存说明书。请依照国家电器规范安装本产品, 防止水分由外壳, 水管件, 配件, 浮子或电缆进入或聚积。

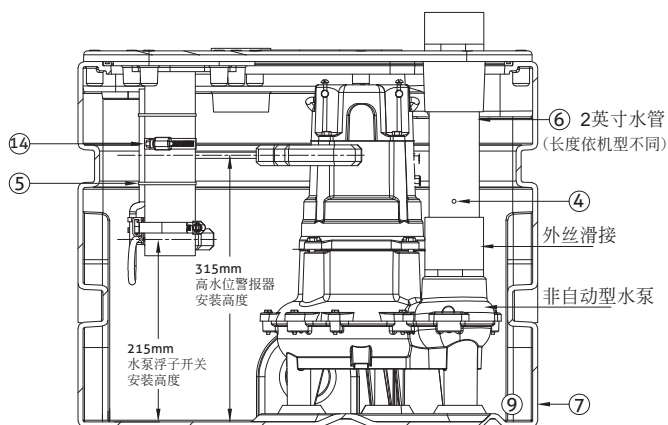
安装说明 (550x400x450mm 箱体尺寸)

- ① 电气配线及保护措施需符合相关电气规范与当地其他应用惯例的需求。
- ② 请在水槽稍高处安装适当的活接与止回阀组合组件，以便于拆卸水泵供清洁整理或维修。于污水、污物或排水应用时若需高扬程或安装于盖板下。
- ③ 所有安装需使用水槽盖板防止杂物掉入水槽，并防止人员意外受伤。
- ④ 请在水泵水管钻一直径5mm小孔，为避免通气孔水流影响对浮子的正常运作，通气孔的位置请避免面向浮子。建议钻孔位置低于”停止”水位，建议向下45度角可降低水流撞击桶子产生的噪音。注：该孔需低于水槽盖板，并需定期清理，水泵运转时可看见该小孔有水流出。
- ⑤ 用束带将电源线在出水管上固定牢靠，并使其避开浮子开关机构。
- ⑥ 出水管管径不可小于水泵出口口径。
- ⑦ 水槽需符合适用规范及规格。
- ⑧ 启动水泵前确认水泵水平，且浮子开关机构与水槽边墙保持净空距离，并确认浮子开关机构不被入水水流干扰。
- ⑨ 完成安装后必须清理水槽内所有杂物碎屑。
- ⑩ 闸阀或球阀由安装者提供，并需依照所有相关规范安装。
- ⑪ 如图示安装浮子开关。「停止」点的最佳位置为马达外壳上方、与入口成180°的方位。切勿将「停止」点配置在水泵出口以下。
- ⑫ 应使用气密密封圈隔绝气体与气味。
- ⑬ 利用通气管将气体与气味排出。
- ⑭ 勿将电缆线固定在铁箍内。

步骤 1



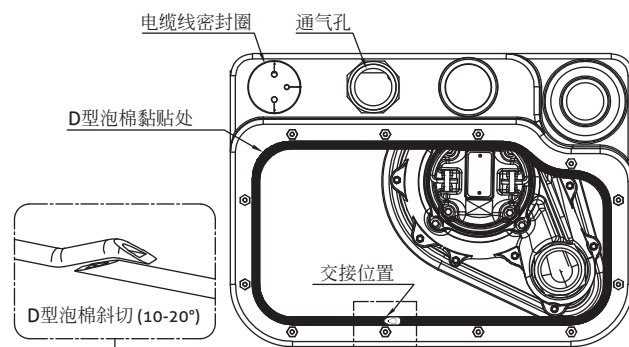
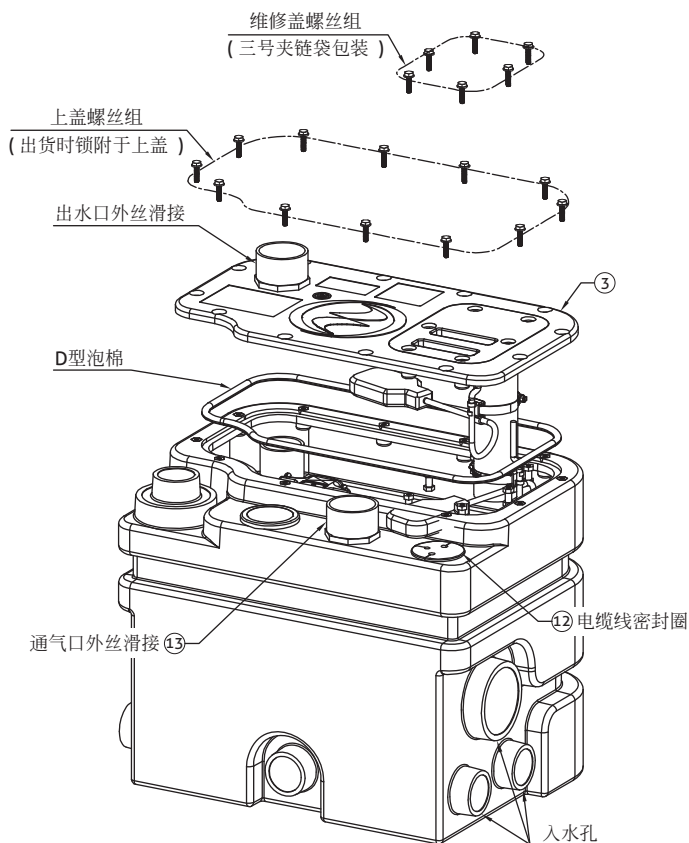
所有水管接合处皆需上管路密封胶



水泵图仅供参考

EA0171

步骤 2

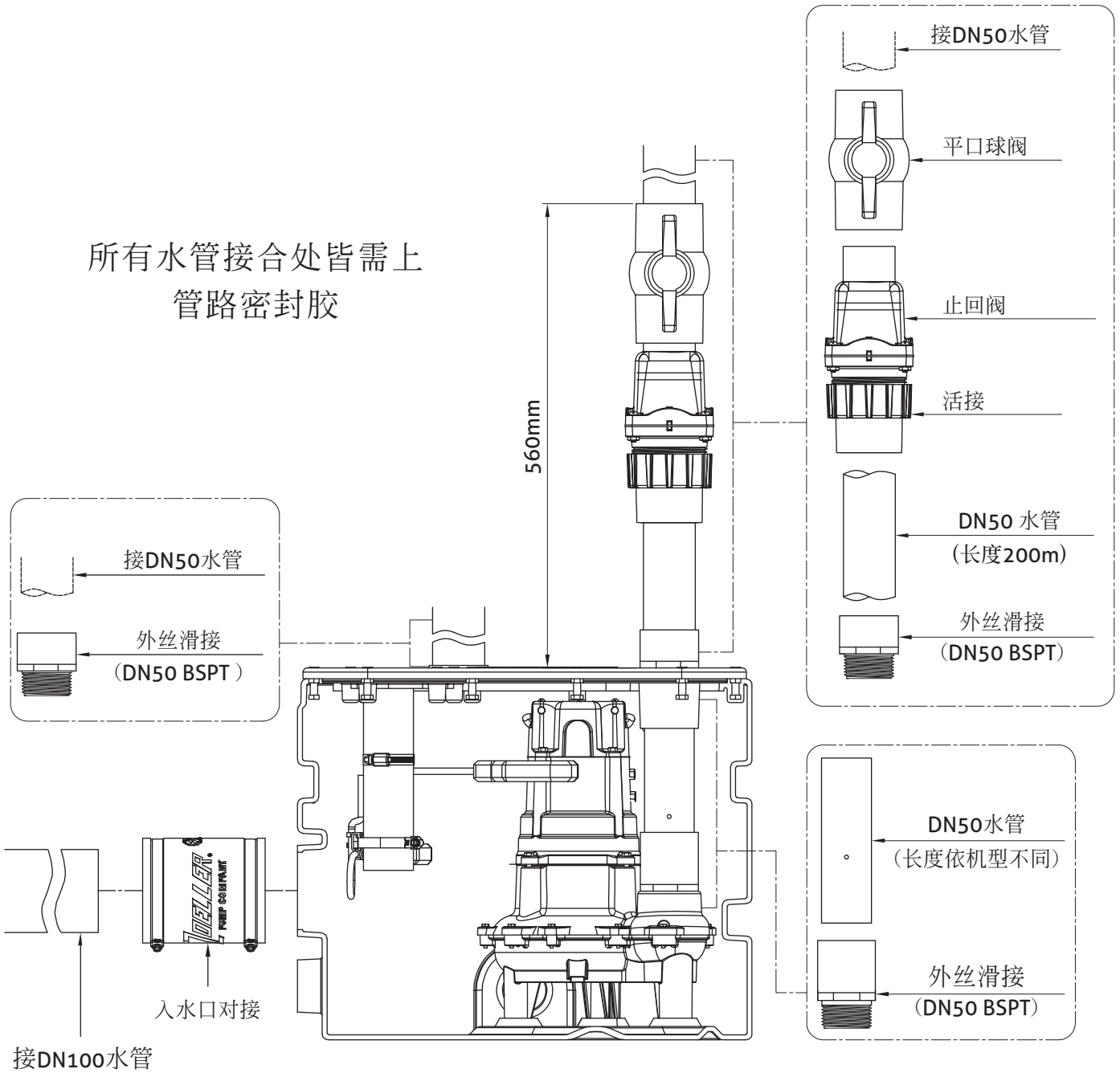


EA0171

安装说明 (550x400x450mm 箱体尺寸)

步骤 3

所有水管接合处皆需上
管路密封胶

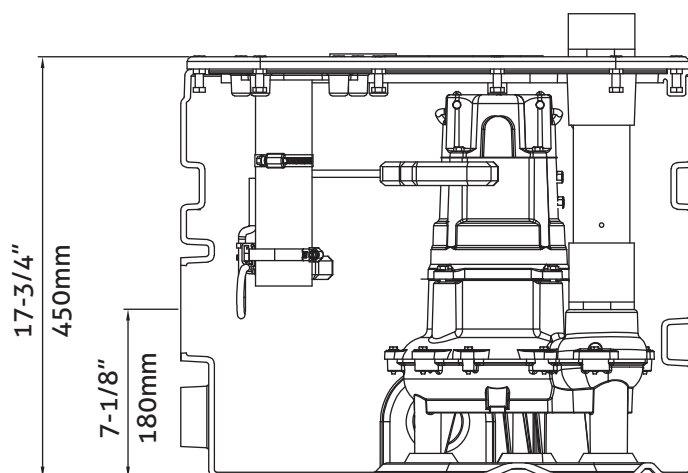
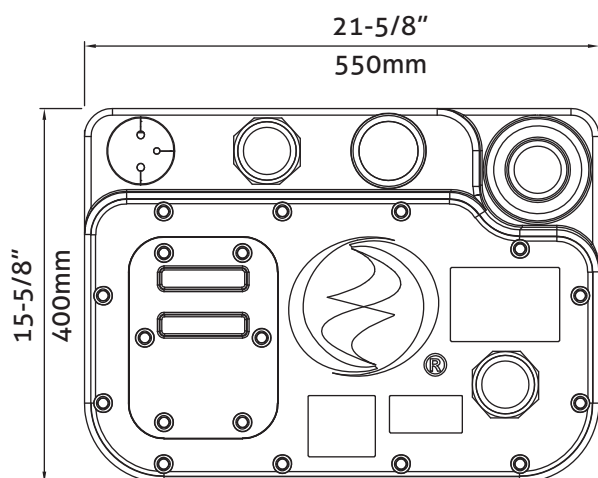


EA0171

产品尺寸

箱体尺寸

550x400x450mm



EA0171



注意

水泵配线注意事项

为您的安全着想，处理水泵前务必先切断电源。单相水泵均附带 3 芯接地插头以防止触电的可能性。任何情况下都不允许移除接地插销。3 插插头必须插入 3 插用插座。如果无法提供 3 插用插座，也必须要更改为有接地功能按照国家电气法规和所有适用当地的法规和条例的安装方式。

所有三相水泵需配备有电机启动的设备与电机超载保护。安装水泵必须按照国家电气法规和所有适用当地的法规和条例。水泵不得安装在美国国家电气规范 ANSI/NFPA 70 列为危险环境的位置。

「触电危险」切勿拆卸电源线或拉扯直接连接在水泵上的释压管或接线路。电器电路及五金配件的安装与检查必须由合格专业电工执行。



注意

单相配线注意事项

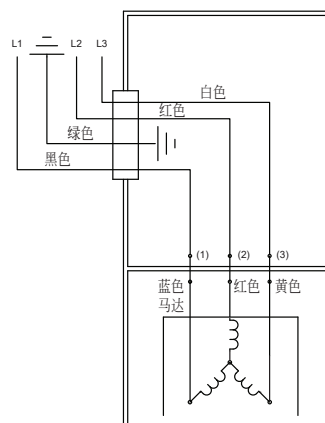
要使非自动水泵运转，需配置控制箱或 20 安培的浮子开关 (P/N 10-0748) 在电路上。按照面板提供的电路系统说明安装。

三相配线注意事项

三相非自动水泵自动运转必须搭配控制柜。按照面板提供的电路系统说明安装。

安装水泵之前，请检查以确保线路已正确连接到电源，绿色接地线（请参见配线图）已连接到有效的接地面。临时充电，观察启动扭矩造成的旋转，旋转方向如果是与水机上的箭头相反即为正确。如果旋转不是正确的，交换地线以外的两条接线安装，即可成为正确的安装。

非自动型
三相



006848

NOTE: for CE-rated pumps only. **DECLARATION OF CONFORMIT**

We, Zoeller, declare under our sole responsibility that the models 49/53/55/57/59/72/76/86/88/98/137/139/140/4140/145/4145/152/153/161/162/163/165/185/189/222/264/266/267/268/270/4270/271/4271/282/4290/4291/292/293/294/371/372/373 to which this declaration relates, are in conformity with the Council Directives on the approximation of the laws of the EC Member States relating to:

-- Machinery Directive (2006/42/EC)

Standards used: EN 809: 1998 + A1: 2009

-- Electromagnetic Compatibility (2014/30/EU)

Standards used: EN 55014-1: 2006 / A1: 2009 / A2: 2011, EN61000-3-2:2014, EN61000-3-3:2013, EN 55014-2: 1997 / A2: 2008, IEC 61000-4-2:2008, IEC 61000-4-3:2006+A1:2007+A2:2010, IEC 61000-4-4:2012, IEC 61000-4-5:2014, IEC 61000-4-6:2013, IEC 61000-4-11:2004

-- Electrical equipment designed for use within certain voltage limits (2014/35/EU)

Standards used: EN60335-1: 2012+A11:2014 and EN60335-2-41: 2003+A1:2004+A2:2010



MAIL TO: P.O. BOX 16347 • Louisville, KY 40256-0347 USA
SHIP TO: 3649 Cane Run Road • Louisville, KY 40211-1961 USA
+1 (502) 778-2731 • FAX +1 (502) 774-3624

Trusted. Tested. Tough®

Visit our website:
zoellerpumps.com